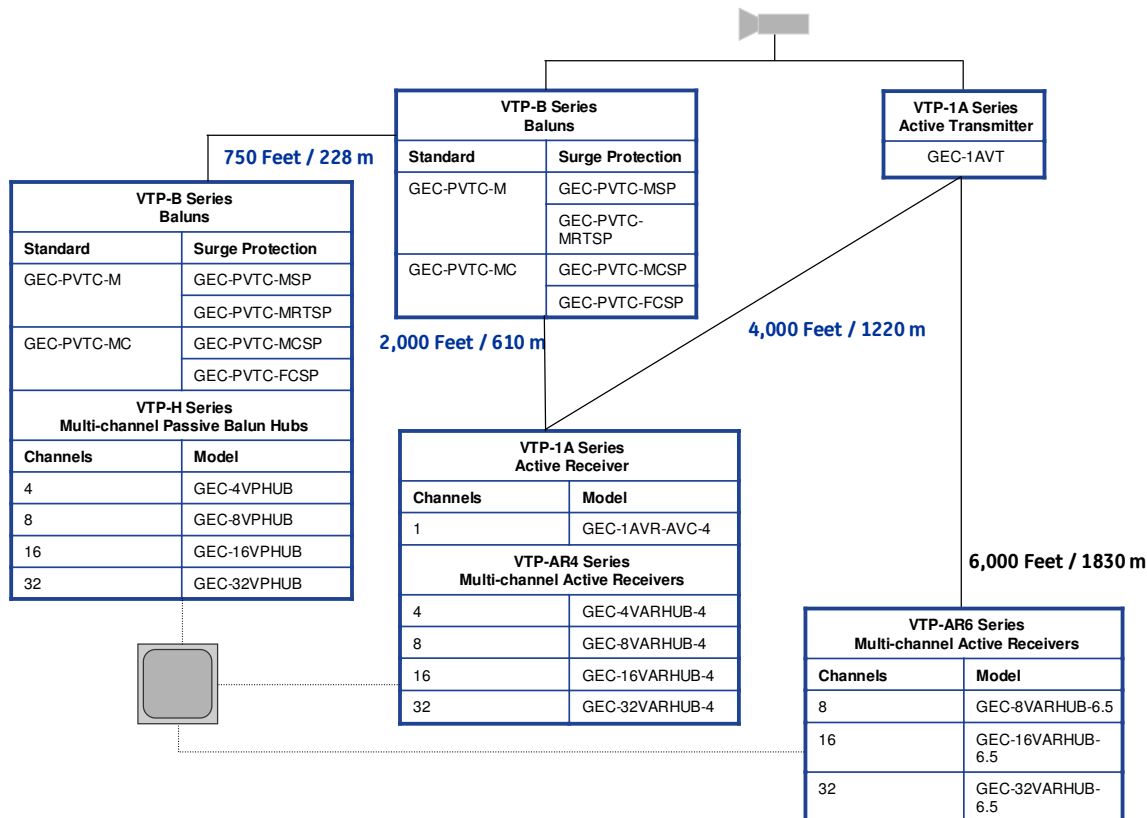




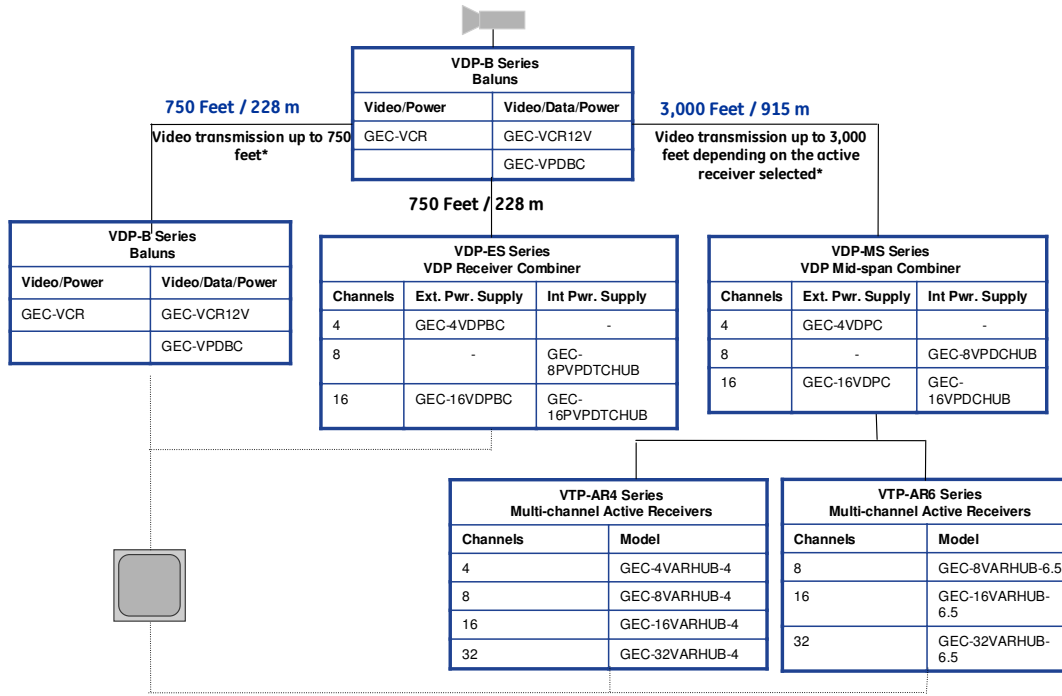
Specifications

1. Quality
 - immunity to noisy crosstalk and interference (70 dB) is among the best in the industry
 - The baluns provide effective surge protection
 - Distances up to 2 km
 - The baluns match exactly 50 to 100 ohm - no ghosting effects
2. Installation-Friendly
 - Compact and user friendly designs
 - CombAutomatic signal level adjustment – No user adjustments required – Automatic Video Compensation
 - Can connect directly on installed twisted paired cabling
 - VPD combiner with RJ 45 connector
 - Screw-less connector
3. Accessories
 - Isolation transformer to eliminate video ground loops – Can also be used in combination with Fiber
4. Combining Video Power & Data
 - VPD over UTP range with direct RJ45 connector to the camera side unit.
 - All types of data supported including Up the coax data.
 - Compact size
 - Central power supply for more reliability
5. Warranty
 - Lifetime Warranty (of the product. – terms to be discussed with Sales manager)

UTP Video Solution Selection Guide



UTP VDP Solution Selection Guide

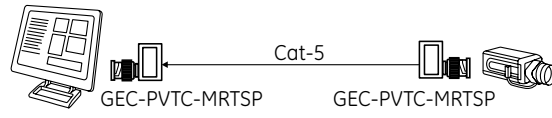


* Cable distance for camera power & PTZ data depends on camera operating voltage and current draw.

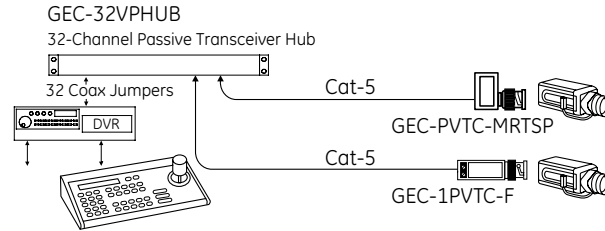
Power Chart:

Power Supply Voltage	24 VAC	28 VAC	12 VDC
100 mA B&W Camera			
Cat-5 (2pairs, 24 AWG)	950ft./290m	2500ft./790m	470ft./143m
Cat-6 (2pairs, 23 AWG)	1200ft./365m	3200ft./975m	560ft./560m
300 mA Color Camera			
Cat-5 (2pairs, 24 AWG)	320ft./98m	840ft./256m	160ft./49m
Cat-6 (2pairs, 23 AWG)	400ft./122m	1060ft./323m	200ft./61m
1 Amp Camera			
Cat-5 (2pairs, 24 AWG)	95ft./29m	250ft./76m	42ft./13m
Cat-6 (2pairs, 23 AWG)	120ft./37m	320ft./98m	60ft./19m

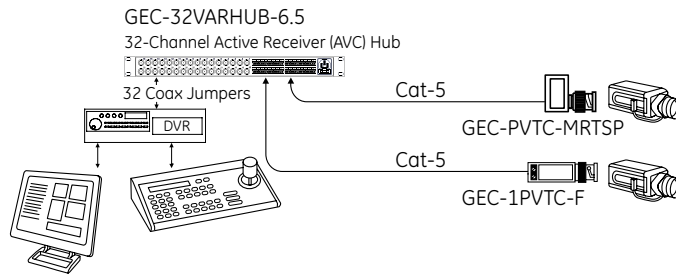
Single Passive Transceiver to Single Passive Transceiver Hub



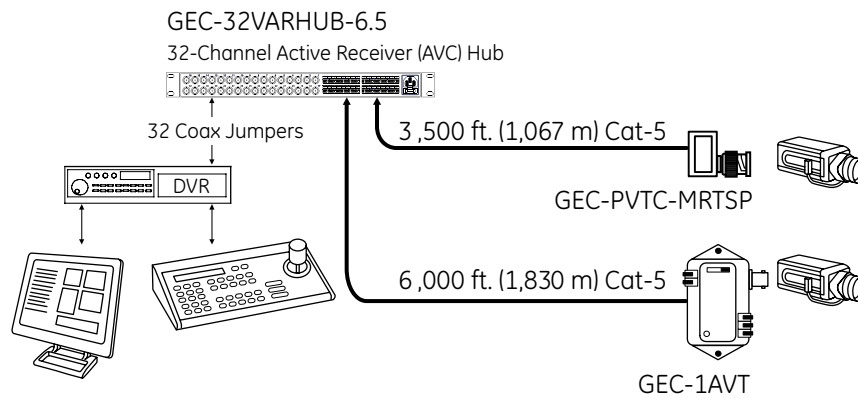
Single Passive Transceiver to Passive Hub



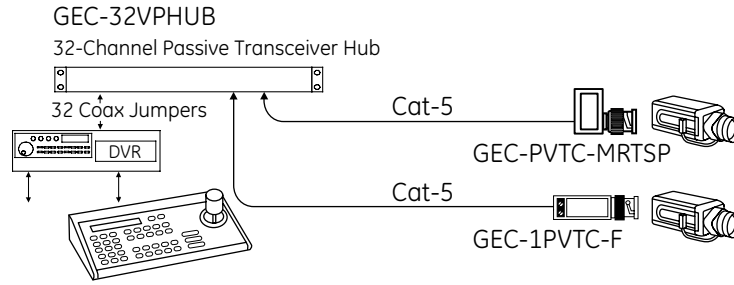
Single Passive Transceiver to Active Hub



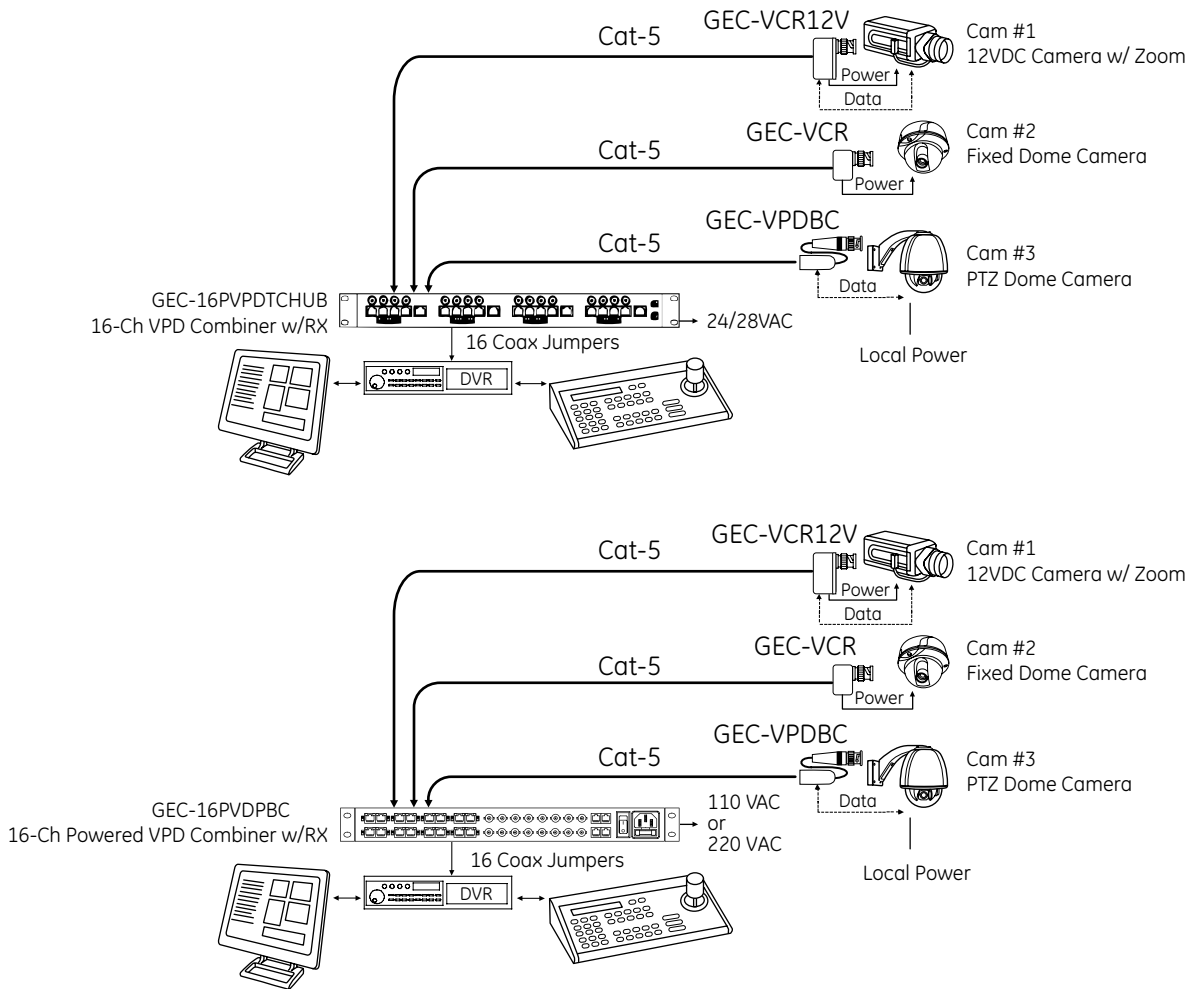
Single Passive Transceiver and Active Transmitter to Active Hub



Multi Channel UTP Passive Combiner Hub

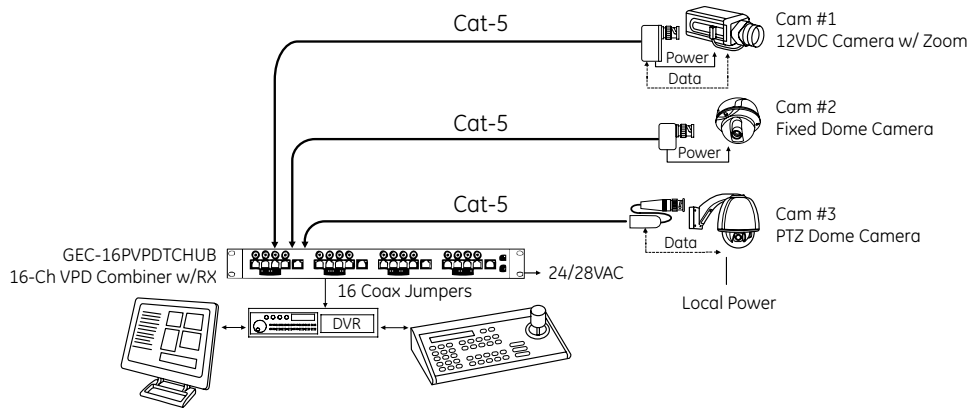


Multi Channel UTP Video-Power-Data Combiner-Receiver





Multi-Channel Short Range VPD with built-in Power Supply



Multi-Channel Mid-Range VPD with built-in Power Supply

